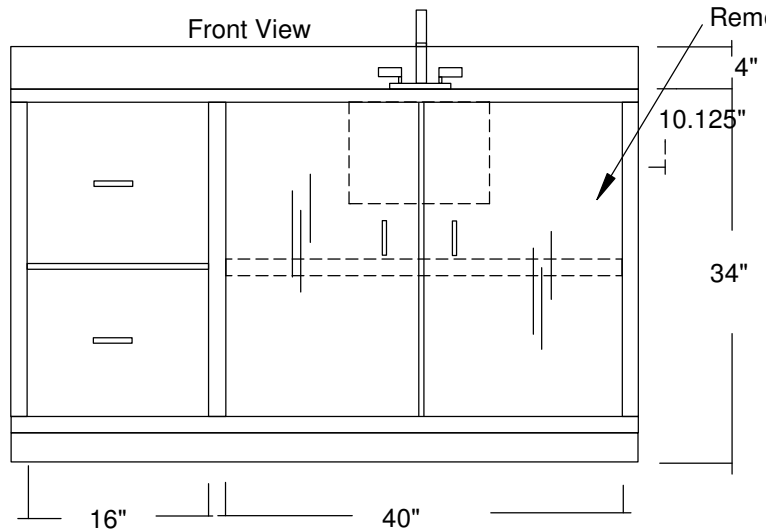


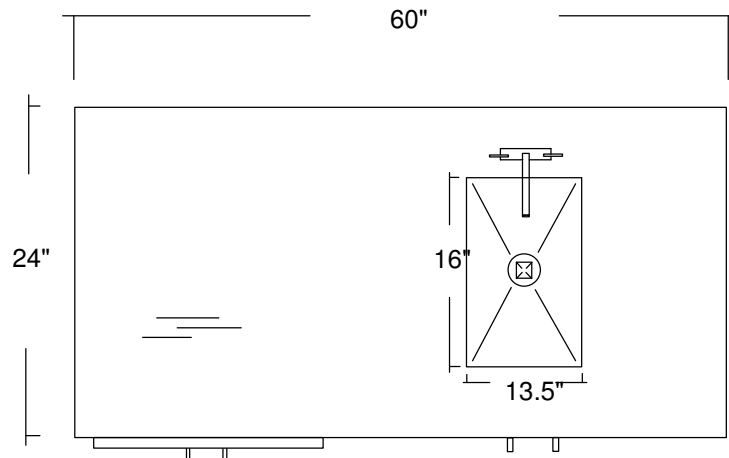


Front View



Removable Shelf

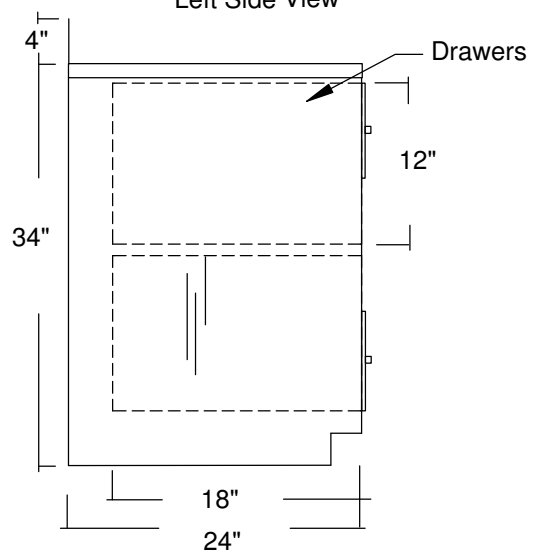
Top View



Recessed SS Bullet Feet

Adjustable Shelves

Left Side View



Drawers

Material:
 SS 304 #3
 1 1/2" Sq. Tubing

Qty.:
 1

G2 AUTOMATED TECHHNOLOGIES, LLC			
TITLE GAT-LAB-CAB-246034-1-SS-ST Overall			
SIZE A4	CAGE CODE	DWG NO	REV
SCALE			SHEET

